

# DL - DL W/C

## SUBMERSIBLE SEWAGE PUMPS (DL) WITH CUTTER (DL W/C)

in cast iron



**OPEN  
DOUBLE CHANNEL  
IMPELLER**



**OPEN SINGLE-CHANNEL  
WITH CUTTER  
IMPELLER**



**NON-CLOG  
SEMI-OPEN  
IMPELLER**

Submersible sewage pumps (DL) with cutter (DL W/C) in cast iron

### APPLICATIONS

- Ideal for waste water applications containing soft or fibrous solids
- Industrial waste water drainage

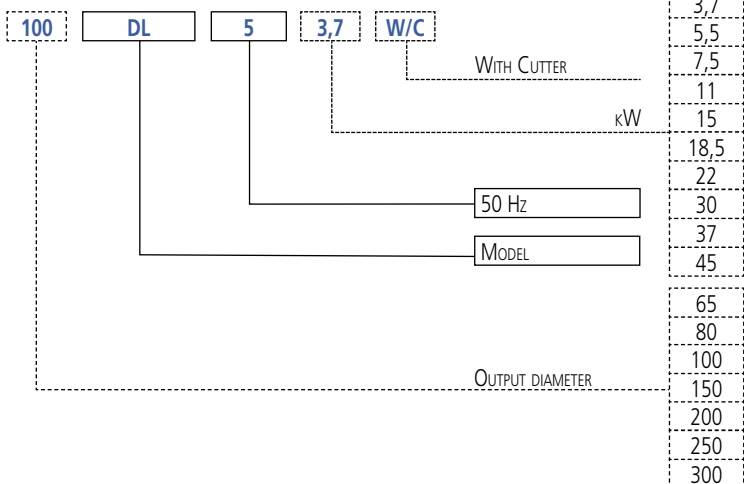
### TECHNICAL DETAILS

- Non-Clog single-channel, double-channel Vitex open impeller prevents clogging by fibrous matter
- Range of models from 65 to 300 mm discharge size and power up to 45 kW (DL)

### TECHNICAL DATA

- Maximum temperature of the liquid: 40°C
- Max solids size for passage:
  - 46 mm (65DL, 65DL W/C)
  - 46 mm (80DL, all DLC, 80 DL W/C)
  - 57 mm (100DL, 100DLB, 100DL W/C, 100DLB W/C)
  - 68 mm (150DL up to 22kW)
  - 73 mm (200DL up to 22kW)
  - 76 mm (all models 30÷45 kW)
  - 79 mm (250DL up to 22kW)
  - 88 mm (300DL up to 22kW)
- Max fibers length:
  - 195 mm (65DL, 65DL W/C)
  - 240 mm (80DL, all DLC, 80DL W/C)
  - 300 mm (100DL, 100DLB, 100DL W/C)
  - 400 mm (150DL from 5.5 kW up to 45 kW)
  - 500 mm (200DL up to 45 kW)
  - 500 mm (all models 30÷44 kW)
  - 550 mm (250DL up to 45 kW)
  - 600 mm (300DL up to 45 kW)
- 4 poles motor
- Insulation class F
- Degree protection IP68
- 380-415±10%, 50Hz (1,5÷7,5kW) (DL and DL W/C) threephase voltage
- 400-415±10%, 50Hz (Δ connection 11÷22 kW) (DL) threephase voltage
- 380-415±10%, 50Hz (Δ connection 30÷45 kW) (DL) threephase voltage
- Flanges: DN65, DN80, DN100, DN150, DN200, DN250, DN300 (DL)  
DN65, DN80, DN100 (DL W/C)
- Power up to 45 kW (DL)  
up to 7.5 kW (DL W/C)

### PUMP IDENTIFICATION CODE



### MATERIALS

- Pump body, impeller (DL), elbow in cast iron
- Shaft in AISI 403
- Mechanical seal: SiC/SiC/NBR (pump side)  
Carbon/Ceramic/NBR (motor side)

### ACCESSORIES (ON REQUEST)

- see from page 142

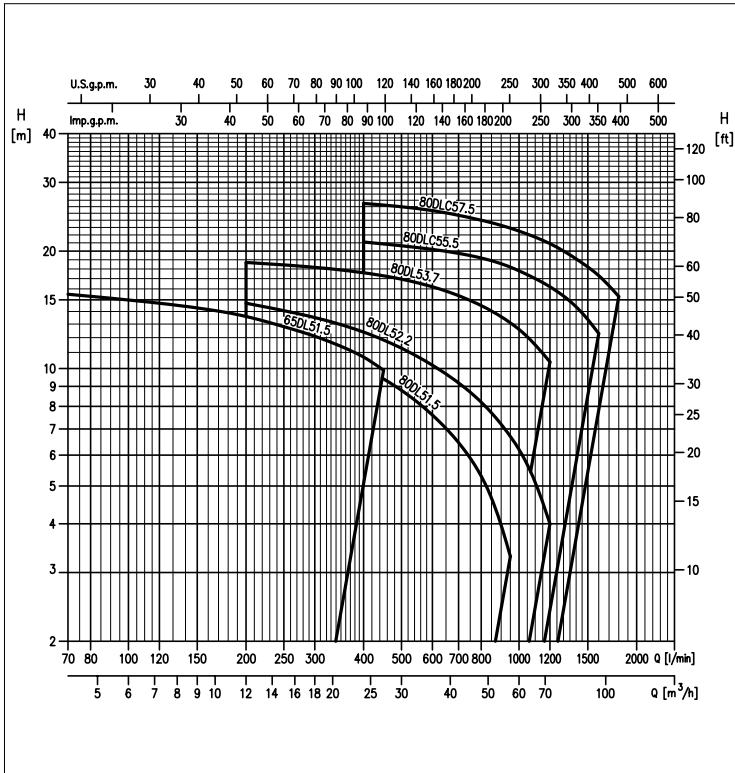




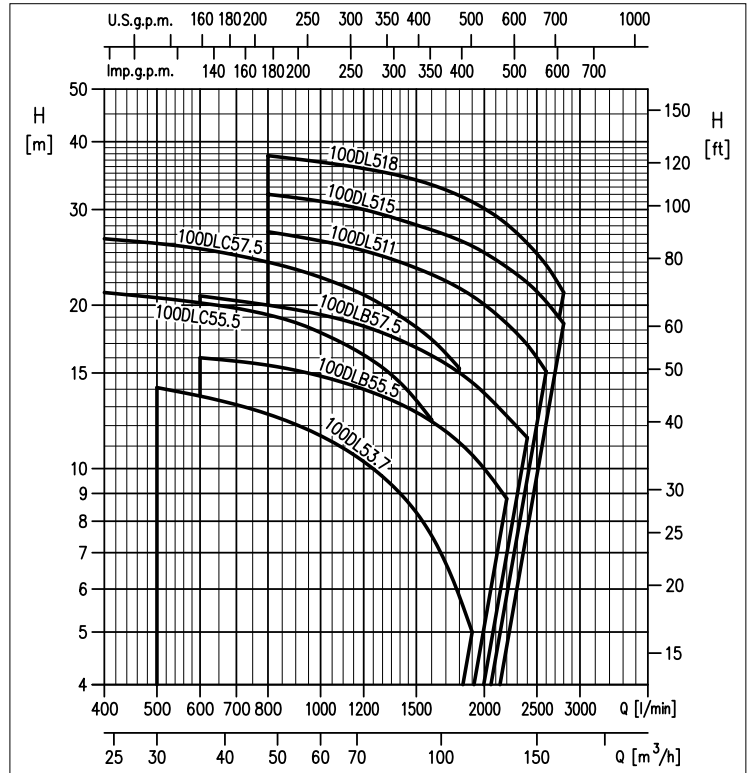
# DL - DL W/C

## SUBMERSIBLE SEWAGE PUMPS (DL) WITH CUTTER (DL W/C) in cast iron

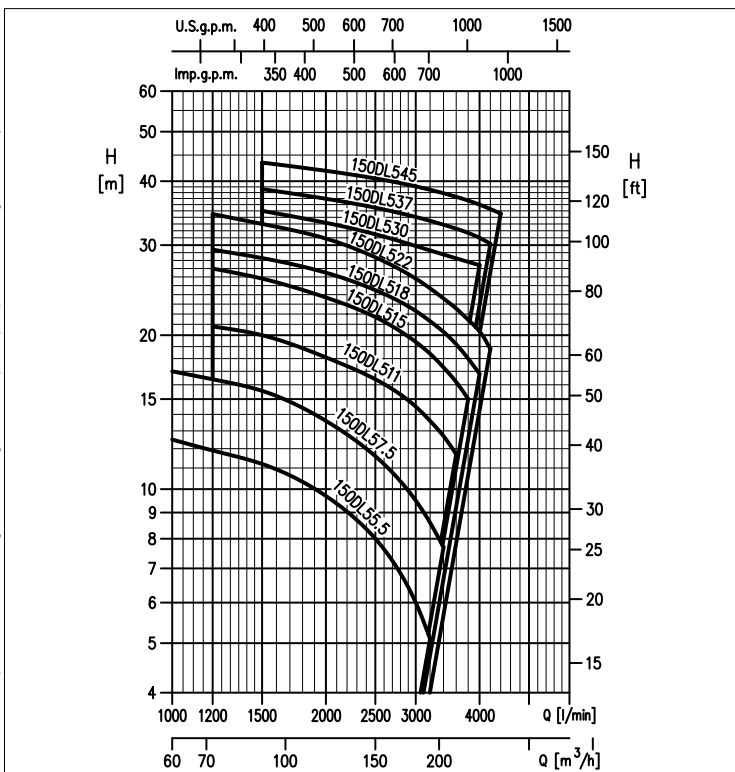
**PERFORMANCE CHART 65-80DL** (according to ISO 9906 Attachment A)



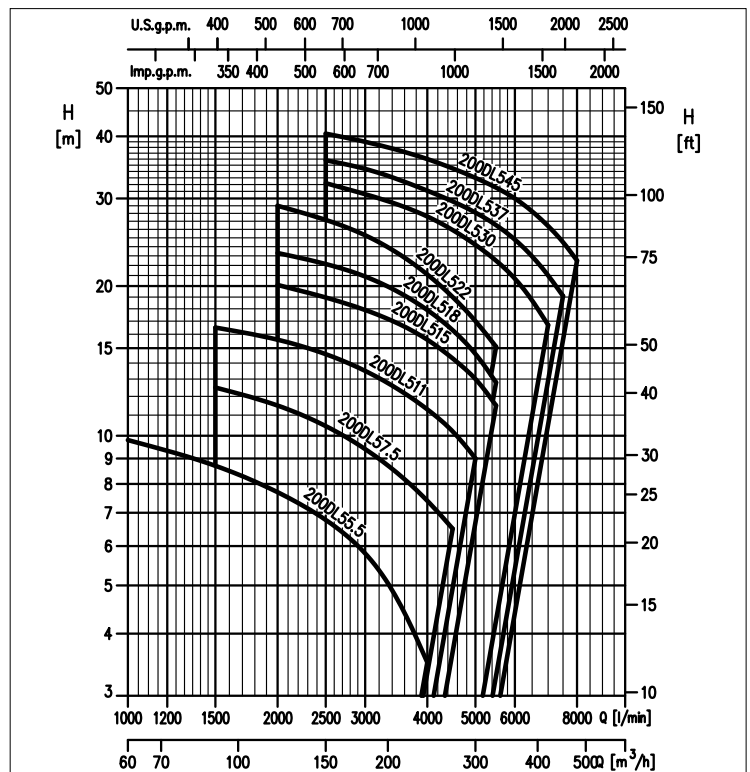
**100DL** (according to ISO 9906 Attachment A)



**150DL** (according to ISO 9906 Attachment A)



**200DL** (according to ISO 9906 Attachment A)



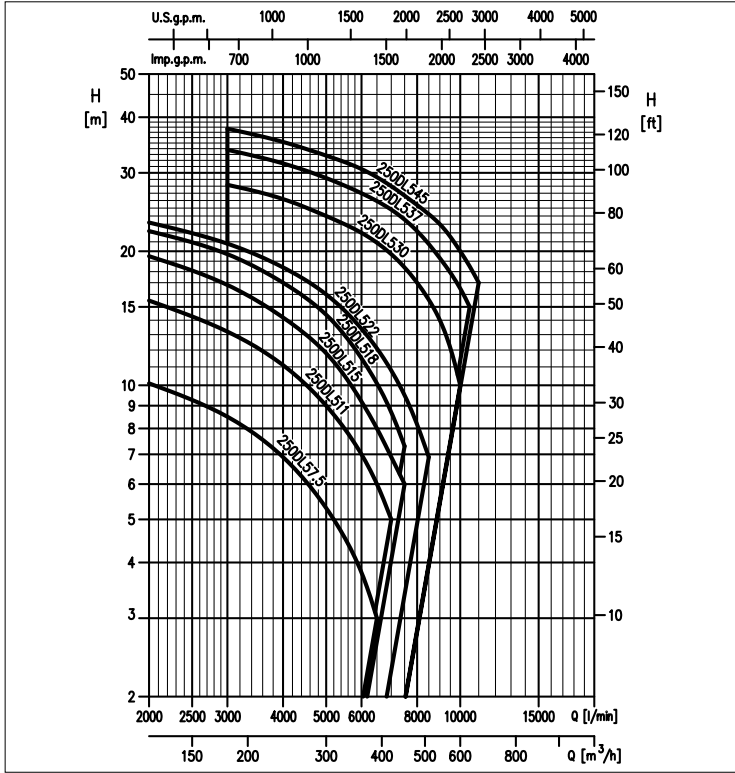
The contents of this publication must not be regarded as binding. EBARA Pumps Europe S.p.A. reserves the right to effect any modification it deems necessary, without prior notice.



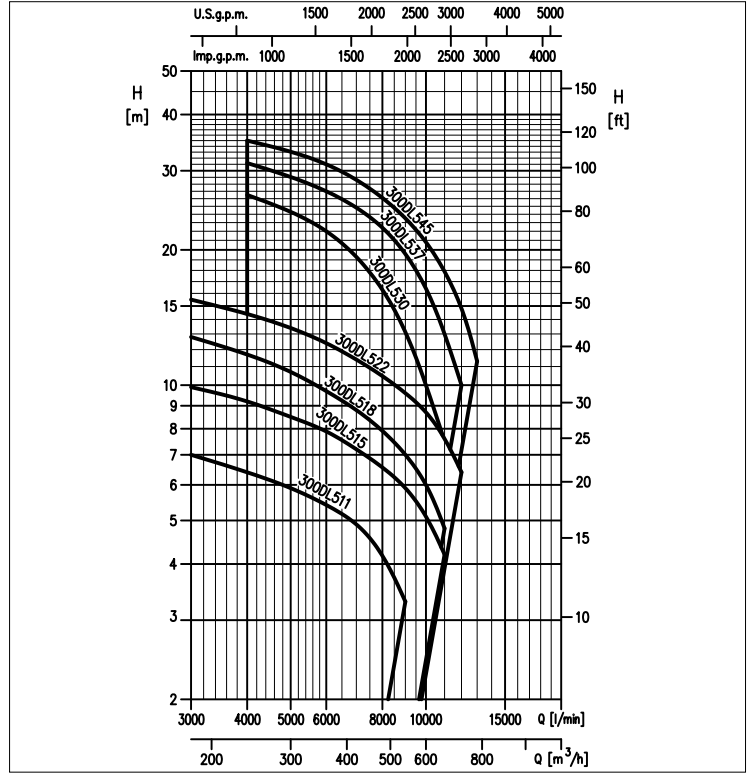
# DL - DL W/C

## SUBMERSIBLE SEWAGE PUMPS (DL) WITH CUTTER (DL W/C) in cast iron

**PERFORMANCE CHART 250DL** (according to ISO 9906 Attachment A)



**300DL** (according to ISO 9906 Attachment A)



The contents of this publication must not be regarded as binding. EBARA Pumps Europe S.p.A. reserves the right to effect any modification it deems necessary, without prior notice.

# DL - DL W/C

## SUBMERSIBLE SEWAGE PUMPS (DL) WITH CUTTER (DL W/C)

in cast iron

PERFORMANCE TABLE 65-80DL

Model	P <sub>2</sub>		Q=Flow rate													
			l/min	70	150	200	400	450	600	800	950	1000	1200	1400	1600	1800
	[HP]	[kW]	m <sup>3</sup> /h	4	9	12	24	27	36	48	57	60	72	84	96	108
			H=Head [m]													
65DL51.5	2	1,5		15,5	14,3	13,6	10,7	9,9	-	-	-	-	-	-	-	-
80DL51.5	2	1,5		-	-	12,2	10,0	9,4	7,6	5,3	3,3	-	-	-	-	-
80DL52.2	3	2,2		-	-	14,7	12,4	11,8	10,2	8,2	6,7	6,2	4,0	-	-	-
80DL53.7	5	3,7		-	-	18,7	17,6	17,3	16,2	14,5	13,1	12,6	10,4	-	-	-
80DLC55.5	7,5	5,5		-	-	-	21,1	20,9	20,2	19,2	18,2	17,8	16,2	14,4	12,3	-
80DLC57.5	10	7,5		-	-	-	26,5	26,3	25,4	24,0	22,9	22,5	20,9	19,1	17,3	15,3

PERFORMANCE TABLE 100DL

Model	P <sub>2</sub>		Q=Flow rate													
			l/min	400	500	600	800	1200	1500	1600	1800	1900	2200	2400	2600	2800
	[HP]	[kW]	m <sup>3</sup> /h	24	30	36	48	72	90	96	108	114	132	144	156	168
			H=Head [m]													
100DLC55.5	7,5	5,5		21,1	20,7	20,2	19,2	16,2	13,3	12,3	-	-	-	-	-	-
100DLC57.5	10	7,5		26,5	25,9	25,4	24,0	20,9	18,3	17,3	15,3	-	-	-	-	-
100DL53.7	5	3,7		-	14,1	13,6	12,6	10,3	8,3	7,5	5,9	5,0	-	-	-	-
100DLB55.5	7,5	5,5		-	-	16,0	15,5	14,0	12,7	12,2	11,1	10,6	8,8	-	-	-
100DLB57.5	10	7,5		-	-	20,8	20,0	18,3	16,7	16,1	15,1	15,0	12,5	11,4	-	-
100DL511	15	11		-	-	-	27,3	25,2	23,4	22,8	21,5	20,8	18,5	16,9	15,1	-
100DL515	20	15		-	-	-	32,0	30,0	28,1	27,6	26,4	25,7	23,5	22,0	20,3	18,5
100DL518.5	25	18,5		-	-	-	37,7	35,7	34,0	33,4	31,9	31,0	28,2	26,0	23,7	21,1

PERFORMANCE TABLE 150DL

Model	P <sub>2</sub>		Q=Flow rate														
			l/min	1000	1200	1500	2000	2500	3000	3200	3400	3500	3600	3800	4000	4200	4400
	[HP]	[kW]	m <sup>3</sup> /h	60	72	90	120	150	180	192	204	210	216	228	240	252	264
			H=Head [m]														
150DL55.5	7,5	5,5		12,5	11,9	11,2	9,7	8,0	6,0	5,1	-	-	-	-	-	-	-
150DL57.5	10	7,5		17,0	16,4	15,2	13,6	11,6	9,5	8,6	7,7	-	-	-	-	-	-
150DL511	15	11		-	20,8	20,0	18,1	16,4	14,5	13,6	12,7	12,2	11,7	-	-	-	-
150DL515	20	15		-	27,0	25,8	23,7	21,7	19,4	18,4	17,3	16,8	16,2	15,0	-	-	-
150DL518.5	25	18,5		-	29,4	28,3	26,5	24,5	22,3	21,3	20,3	19,8	19,2	18,0	16,8	-	-
150DL522	30	22		-	34,5	33,0	30,9	28,4	25,8	24,7	23,6	23,0	22,4	21,2	20,5	18,8	-
150DL530	40	30		-	-	35,0	33,2	31,5	29,9	29,3	28,8	28,5	28,3	27,8	27,4	-	-
150DL537	50	37		-	-	38,6	37,0	35,5	34,1	33,5	32,9	32,6	32,3	31,7	31,0	30,2	-
150DL545	60	45		-	-	43,5	42,0	40,5	39,1	38,5	37,9	37,6	37,3	36,7	36,0	35,3	34,6

PERFORMANCE TABLE 200DL

Model	P <sub>2</sub>		Q=Flow rate													
			l/min	1000	1500	2000	2500	3000	4000	4500	5000	5500	6000	7000	7500	8000
	[HP]	[kW]	m <sup>3</sup> /h	60	90	120	150	180	240	270	300	330	360	420	450	480
			H=Head [m]													
200DL55.5	7,5	5,5		9,8	8,7	7,7	6,8	5,8	3,5	-	-	-	-	-	-	-
200DL57.5	10	7,5		-	12,5	11,5	10,5	9,4	7,4	6,5	-	-	-	-	-	-
200DL511	15	11		-	16,5	15,6	14,6	13,5	11,3	10,2	9,0	-	-	-	-	-
200DL515	20	15		-	-	20,1	19,0	17,9	15,6	14,3	13,0	11,5	-	-	-	-
200DL518.5	25	18,5		-	-	23,3	22,2	20,9	17,9	16,3	14,6	12,8	-	-	-	-
200DL522	30	22		-	-	29,0	27,2	25,3	21,1	19,0	17,0	15,1	-	-	-	-
200DL530	40	30		-	-	-	32,2	30,6	27,6	25,9	24,2	22,5	20,7	16,7	-	-
200DL537	50	37		-	-	-	35,8	34,4	31,1	29,6	28,1	26,5	24,8	21,0	19,1	-
200DL545	60	45		-	-	-	40,5	39,0	36,0	34,5	33,0	31,5	30,0	26,4	24,5	22,5

The contents of this publication must not be regarded as binding. EBARA Pumps Europe S.p.A. reserves the right to effect any modification it deems necessary, without prior notice.

# DL - DL W/C

## SUBMERSIBLE SEWAGE PUMPS (DL) WITH CUTTER (DL W/C)

in cast iron

PERFORMANCE TABLE 250DL

Model	P <sub>2</sub>		Q=Flow rate														
	[HP]	[kW]	l/min	2000	3000	4000	5000	6000	6500	7000	7500	8000	8500	9000	10000	10500	11000
			m <sup>3</sup> /h	120	180	240	300	360	390	420	450	480	510	540	600	630	660
H=Head [m]																	
250DL57.5	10	7,5	10,1	8,5	6,9	5,3	3,8	3,0	-	-	-	-	-	-	-	-	-
250DL511	15	11	15,5	13,2	11,1	9,0	7,0	6,0	5,0	-	-	-	-	-	-	-	-
250DL515	20	15	19,5	16,8	14,2	11,8	9,2	8,0	6,9	6,0	-	-	-	-	-	-	-
250DL518.5	25	18,5	22,2	19,7	17,0	14,4	11,5	10,1	8,7	7,3	-	-	-	-	-	-	-
250DL522	30	22	23,2	20,8	18,4	16,0	13,4	12,1	10,8	9,5	8,2	6,9	-	-	-	-	-
250DL530	40	30	-	28,2	26,2	24,0	22,0	20,9	19,7	18,4	17,0	15,6	14,0	10,0	-	-	-
250DL537	50	37	-	33,8	31,5	29,2	27,0	25,9	24,8	23,5	22,2	20,8	19,3	16,5	15,0	-	-
250DL545	60	45	-	37,7	35,2	32,8	30,6	29,3	28,0	26,7	25,4	24,2	23,0	20,0	18,5	17,0	-

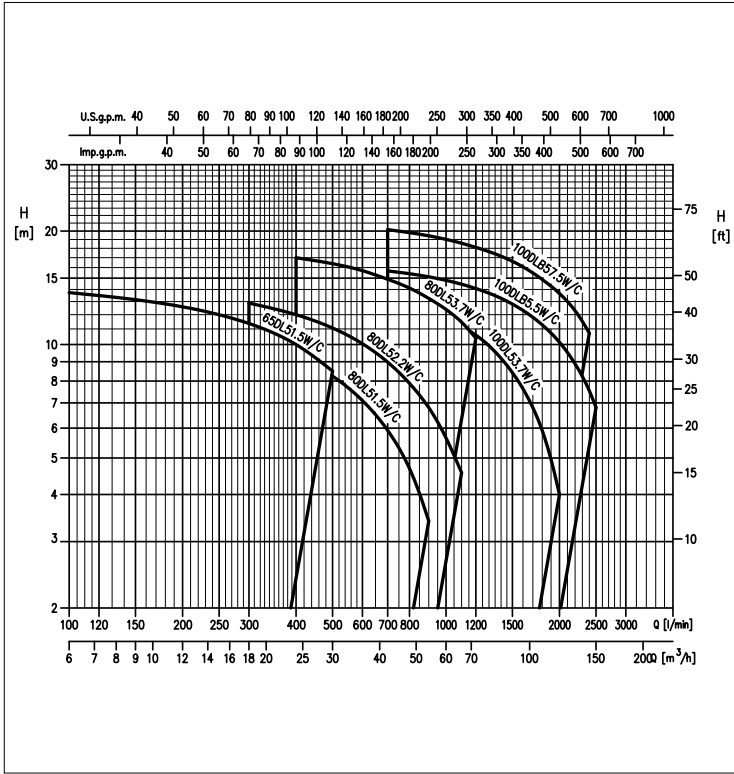
PERFORMANCE TABLE 300DL

Model	P <sub>2</sub>		Q=Flow rate											
	[HP]	[kW]	l/min	3000	4000	5000	6000	7000	8000	9000	10000	11000	12000	13000
			m <sup>3</sup> /h	180	240	300	360	420	480	540	600	660	720	780
H=Head [m]														
300DL511	15	11	7,0	6,4	5,9	5,5	4,9	4,2	3,3	-	-	-	-	-
300DL515	20	15	9,9	9,2	8,5	8,0	7,2	6,6	5,9	5,1	4,2	-	-	-
300DL518.5	25	18,5	12,8	11,7	10,7	9,7	8,8	7,9	7,0	6,0	4,8	-	-	-
300DL522	30	22	15,5	14,4	13,4	12,4	11,4	10,5	9,6	8,7	7,6	6,4	-	-
300DL530	40	30	-	26,5	24,4	22,0	19,3	16,3	13,1	10,0	7,5	-	-	-
300DL537	50	37	-	31,2	29,2	27,0	24,8	22,4	19,6	16,4	13,0	10,0	-	-
300DL545	60	45	-	35,0	33,1	31,0	28,6	26,1	23,5	20,8	17,9	14,8	11,3	-

# DL - DL W/C

## SUBMERSIBLE SEWAGE PUMPS (DL) WITH CUTTER (DL W/C) in cast iron

PERFORMANCE CHART DL W/C (With CUTTER) (according to ISO 9906 Attachment A)



PERFORMANCE TABLE 65-80-100 DL W/C (With CUTTER)

Model	P <sub>2</sub>		Q=Flow rate																
			l/min	100	250	300	400	500	700	900	1000	1100	1200	1400	1600	2000	2400	2500	
			m <sup>3</sup> /h	6	15	18	24	30	42	54	60	66	72	84	96	120	144	150	
		H=Head [m]																	
65DL51.5W/C	2	1,5	13,7	12,0	11,4	10,0	8,5	-	-	-	-	-	-	-	-	-	-	-	
80DL51.5W/C	2	1,5	-	10,7	10,3	9,3	8,2	5,9	3,4	-	-	-	-	-	-	-	-	-	
80DL52.2W/C	3	2,2	-	-	12,9	12,0	11,1	9,0	6,8	5,7	4,6	-	-	-	-	-	-	-	
80DL53.7W/C	5	3,7	-	-	-	17,0	16,4	14,9	13,4	12,6	11,6	10,4	-	-	-	-	-	-	
100DL53.7W/C	5	3,7	-	-	-	-	14,1	13,1	12,2	11,7	11,2	10,6	9,2	7,6	4,0	-	-	-	
100DLB55.5W/C	7,5	5,5	-	-	-	-	-	15,7	15,1	14,8	14,5	14,1	13,3	12,3	10,1	7,5	6,8	-	
100DLB57.5W/C	10	7,5	-	-	-	-	-	20,2	19,4	19,0	18,6	18,1	17,2	16,1	13,7	10,7	-	-	

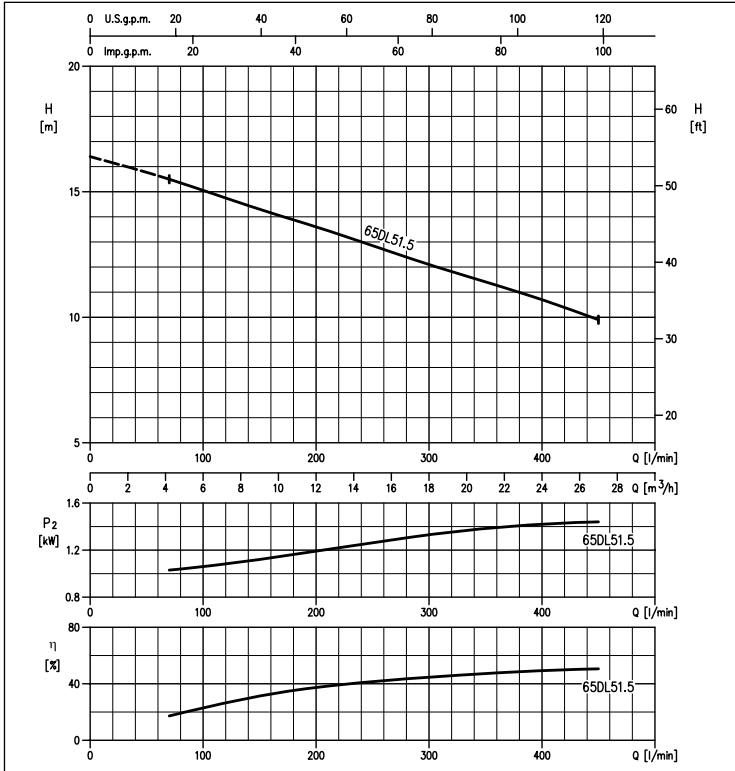
The contents of this publication must not be regarded as binding. EBARA Pumps Europe S.p.A. reserves the right to effect any modification it deems necessary, without prior notice.



# DL - DL W/C

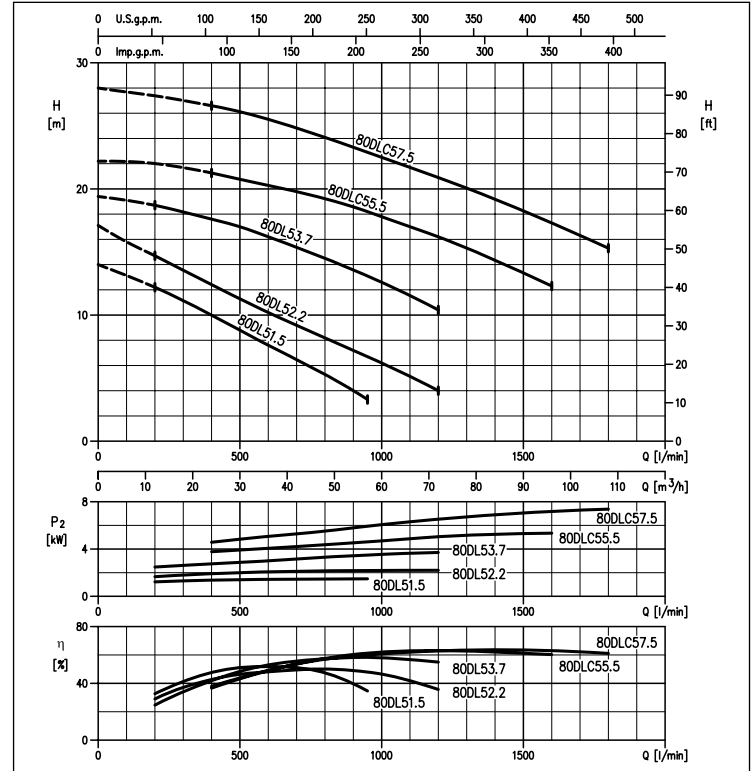
## SUBMERSIBLE SEWAGE PUMPS (DL) WITH CUTTER (DL W/C) in cast iron

**PERFORMANCE CURVES 65DL51.5 (1.5 kW) range**  
(according to ISO 9906 Attachment A)

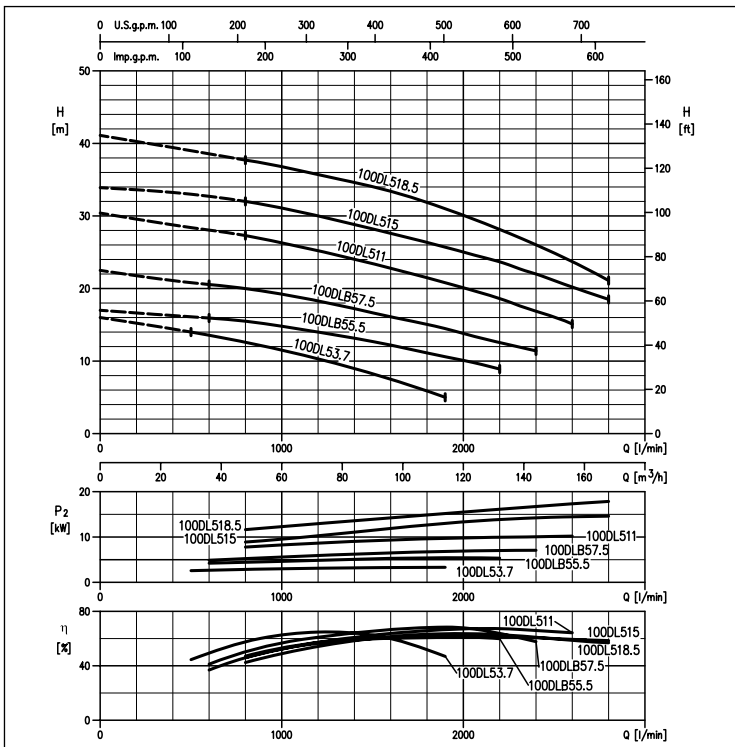


**PERFORMANCE CURVES**  
(according to ISO 9906 Attachment A)

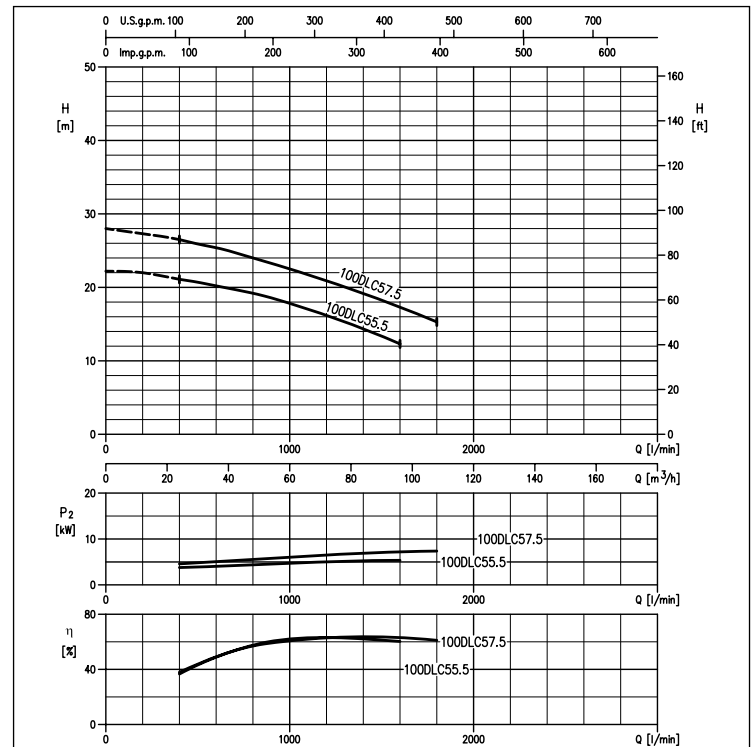
**80DL51.5 (1.5 kW) range**  
**80DL53.7 (3.7 kW) range**  
**8080DL52.2 (2.2 kW) range**  
**80DLC57.5 (7.5 kW) range**  
**80DLC55.5 (5.5 kW)**



**PERFORMANCE CURVES 100DL53.7 (3.7 kW) 100DLB55.5 (5.5 kW)**  
(according to ISO 9906 Attachment A) **100DLB57.5 (7.5 kW) 100DL511 (11 kW)**  
**100DL515 (15 kW) 100DL518.5 (18.5 kW)**



**PERFORMANCE CURVES 100DLC55.5 (5.5 kW) 100DLC57.5 (7.5 kW)**  
(according to ISO 9906 Attachment A)





# DL - DL W/C

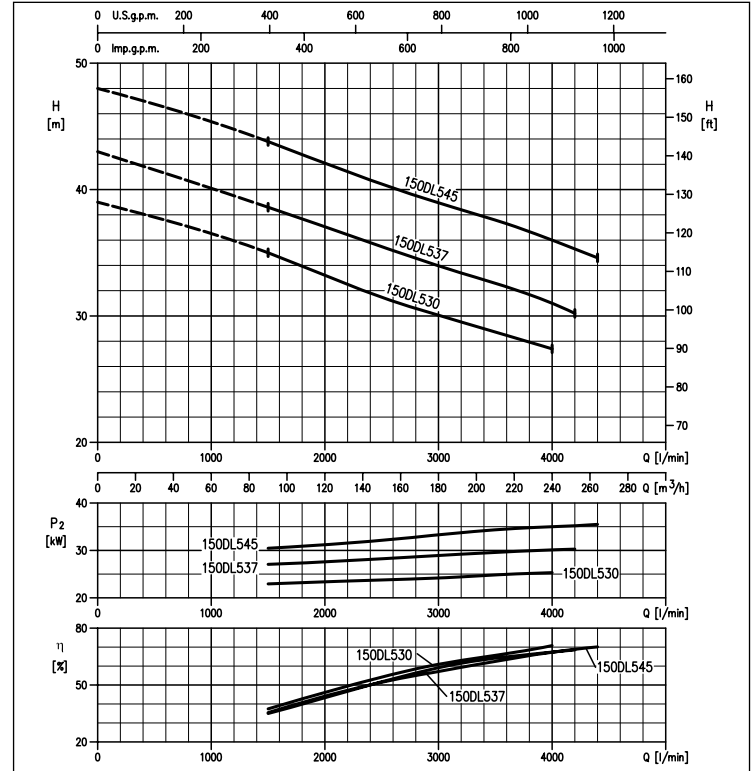
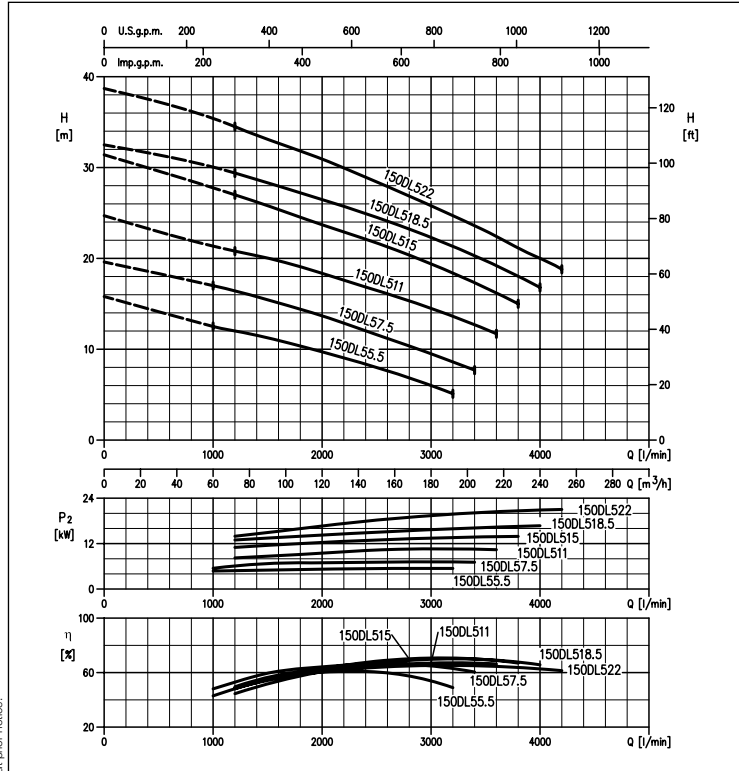
## SUBMERSIBLE SEWAGE PUMPS (DL) WITH CUTTER (DL W/C) in cast iron

**PERFORMANCE CURVES**  
(according to ISO 9906 Attachment A)

**150DL55.5 (5.5 kW)**  
**150DL511 (11 kW)**  
**150DL518.5 (18.5 kW)**  
**150DL57.5 (7.5 kW)**  
**150DL515 (15 kW)**  
**150DL522 (22 kW)**

**PERFORMANCE CURVES**  
(according to ISO 9906 Attachment A)

**150DL530 (30 kW)**  
**150DL537 (37 kW)**  
**150DL545 (45 kW)**

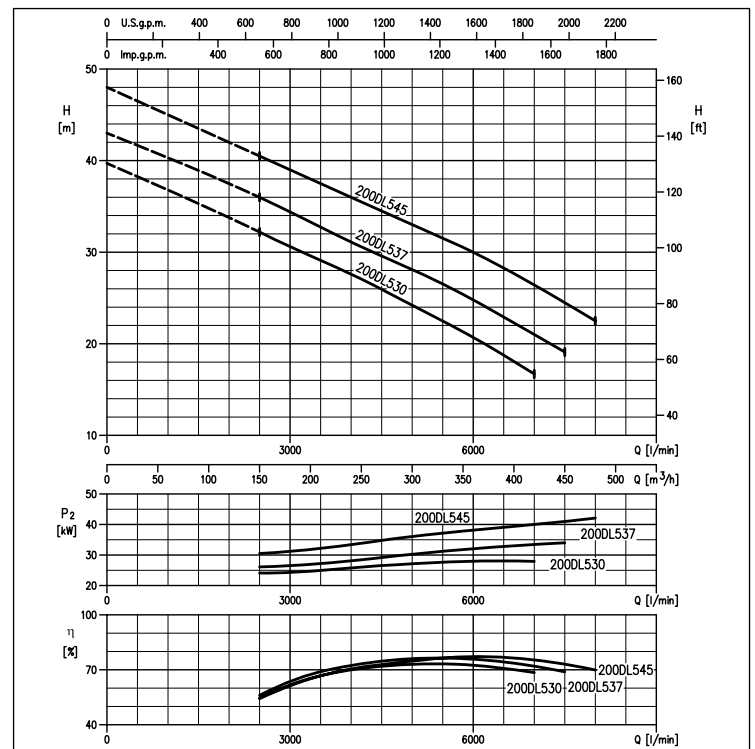
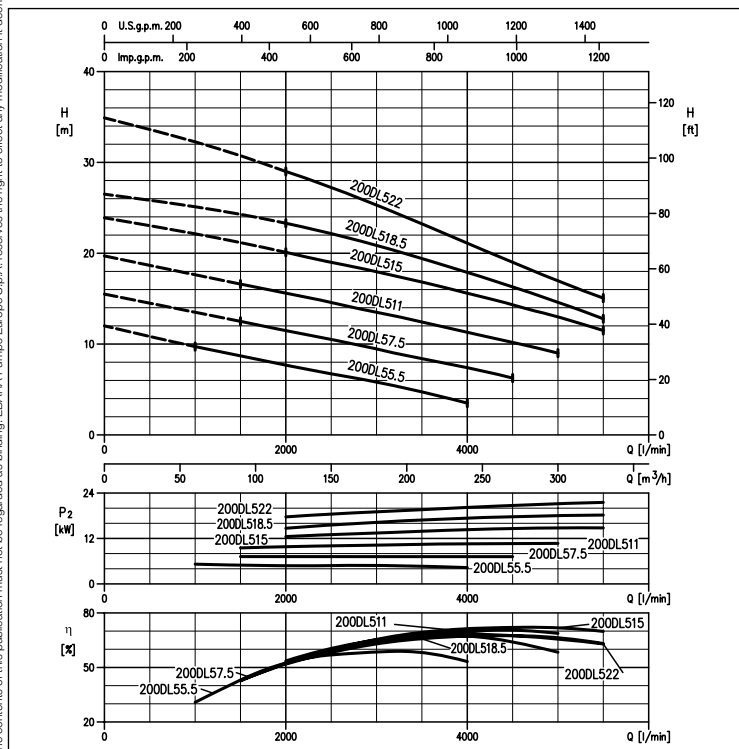


**PERFORMANCE CURVES**  
(according to ISO 9906 Attachment A)

**200DL55.5 (5.5 kW)**  
**200DL511 (11 kW)**  
**200DL518.5 (18.5 kW)**  
**200DL57.5 (7.5 kW)**  
**200DL515 (15 kW)**  
**200DL522 (22 kW)**

**PERFORMANCE CURVES**  
(according to ISO 9906 Attachment A)

**200DL530 (30 kW)**  
**200DL537 (37 kW)**  
**200DL545 (45 kW)**



The contents of this publication must not be regarded as binding. EBARA Pumps Europe S.p.A. reserves the right to effect any modification it deems necessary, without prior notice.





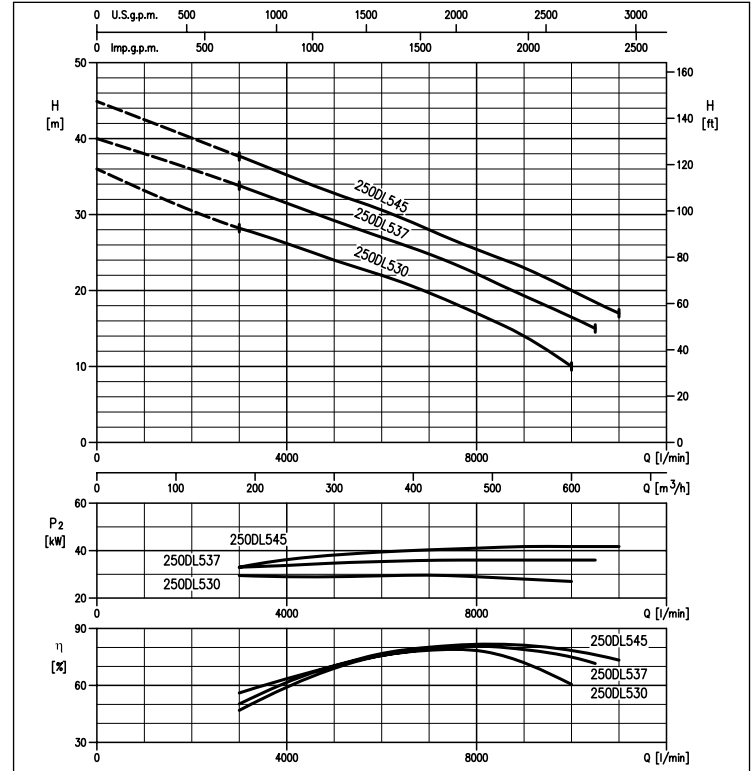
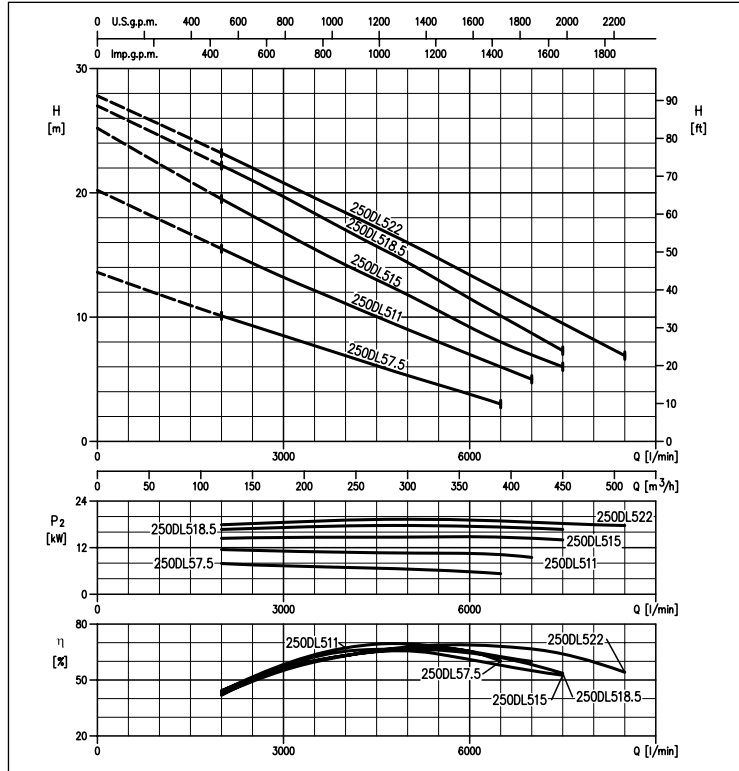
# DL - DL W/C

## SUBMERSIBLE SEWAGE PUMPS (DL) WITH CUTTER (DL W/C) in cast iron

**PERFORMANCE CURVES 250DL57.5 (7.5 kW)**  
(according to ISO 9906 Attachment A) **250DL515 (15 kW)**  
**250DL522 (22 kW)**

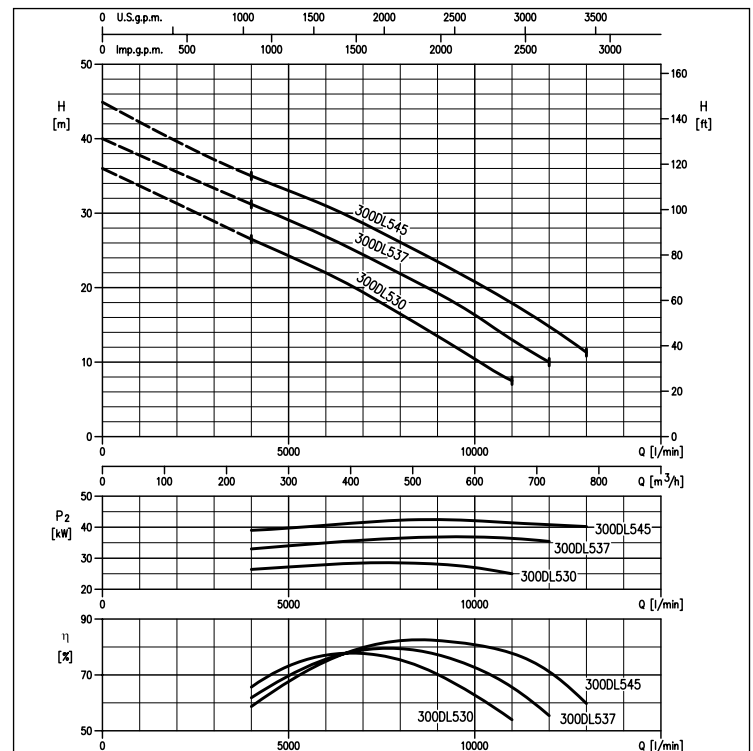
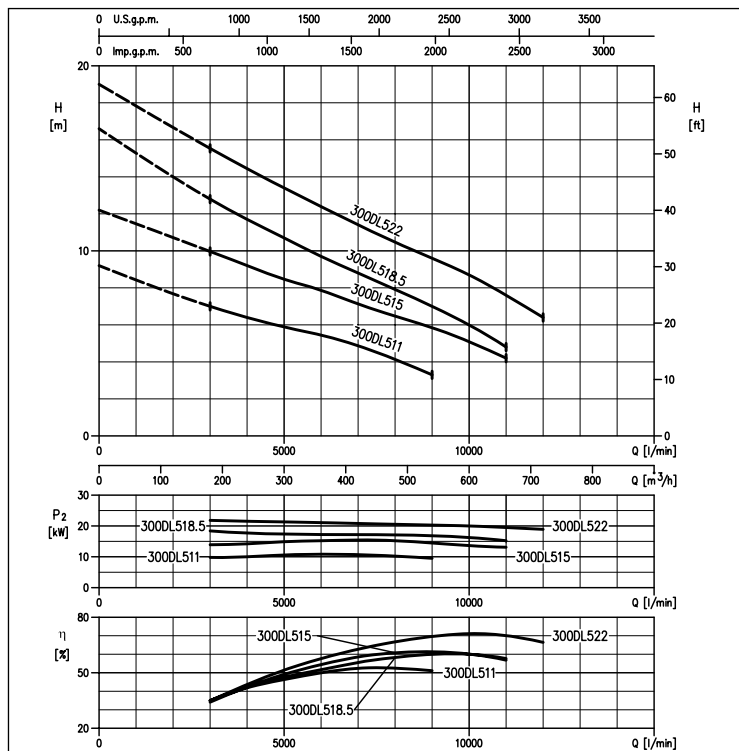
**250DL 511 (11 kW)**  
**250DL 518.5 (18.5 kW)**

**PERFORMANCE CURVES 250DL530 (30 kW)**  
(according to ISO 9906 Attachment A) **250DL537 (37 kW)**  
**250DL545 (45 kW)**



**PERFORMANCE CURVES 300DL511 (11 kW)**  
(according to ISO 9906 Attachment A) **300DL515 (15 kW)**  
**300DL518.5 (18.5 kW)** **300DL522 (22 kW)**

**PERFORMANCE CURVES 300DL530 (30 kW)**  
(according to ISO 9906 Attachment A) **300DL537 (37 kW)**  
**300DL545 (45 kW)**

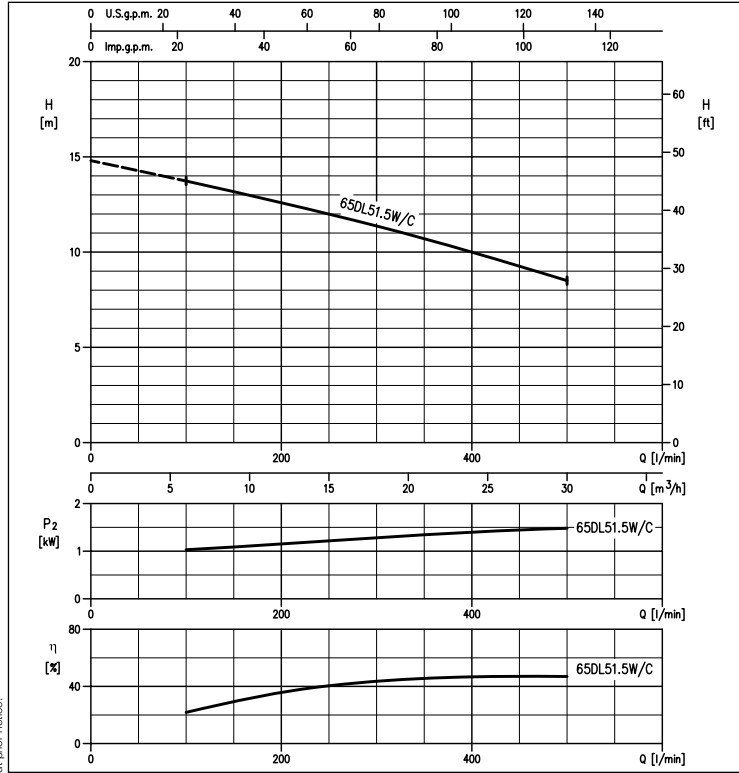




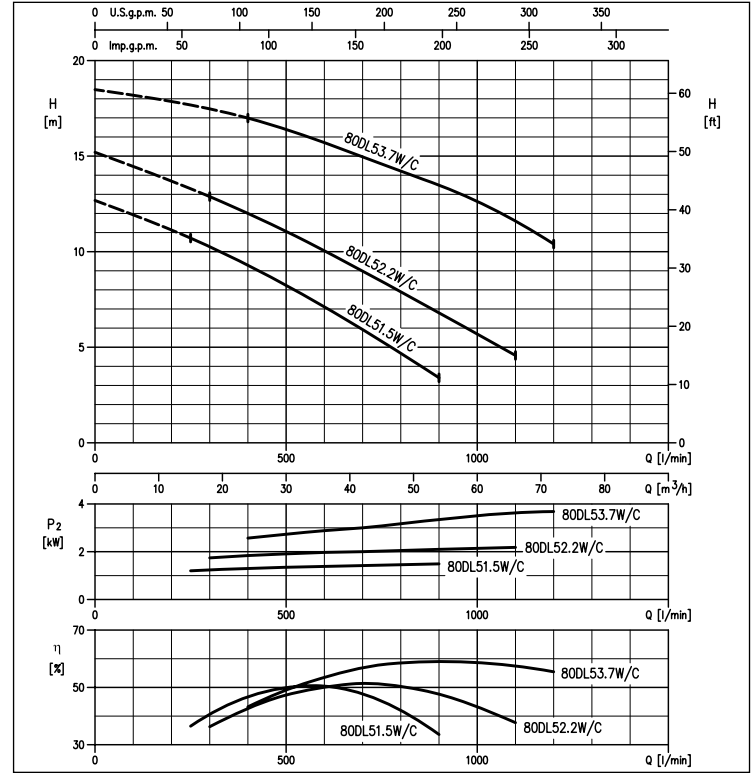
# DL - DL W/C

## SUBMERSIBLE SEWAGE PUMPS (DL) WITH CUTTER (DL W/C) in cast iron

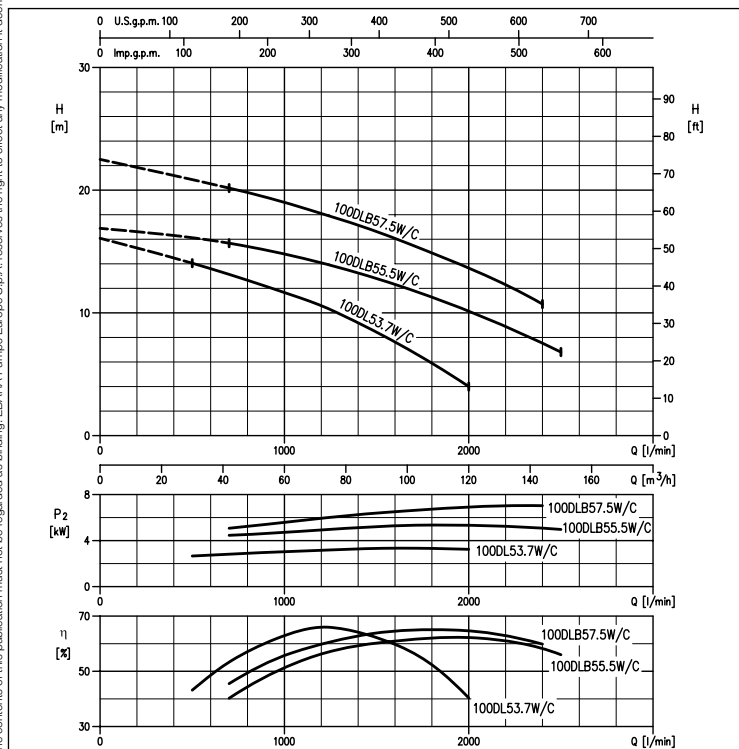
**PERFORMANCE CURVES 65DL51.5 W/C (1.5 kW)**  
(according to ISO 9906 Attachment A)



**PERFORMANCE CURVES 80DL51.5 W/C (1.5 kW)**  
**80DL52.2 W/C (2.2 kW)**  
**80DL53.7 W/C (3.7 kW)**  
(according to ISO 9906 Attachment A)



**PERFORMANCE CURVES 100DL53.7 W/C (3.7 kW)**  
**100DLB55.5 W/C (5.5 kW)**  
**100DLB57.5 W/C (7.5 kW)**  
(according to ISO 9906 Attachment A)



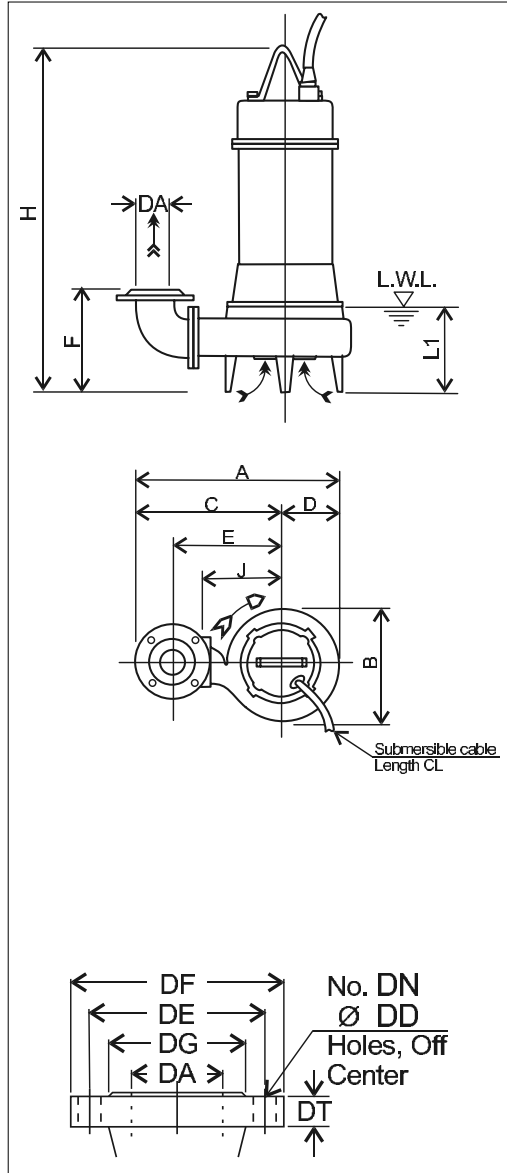
The contents of this publication must not be regarded as binding. EBARA Pumps Europe S.p.A. reserves the right to effect any modification it deems necessary, without prior notice.

# DL - DL W/C

## SUBMERSIBLE SEWAGE PUMPS (DL) WITH CUTTER (DL W/C)

in cast iron

### DIMENSIONS DL



Discharge flanges dimensions [mm] - EN 1092-2

Type	DA	DE	DF	DG	DT	DN	DD
Round	65	145	185	118	17	4	19
	80	160	200	132	19	8	
	100	180	220	156	21		
	150	240	285	211	23		23
	200	295	340	266	25		
	250	350	395	319	25		
	300	400	445	370	24	12	

### DIMENSIONS TABLE DL

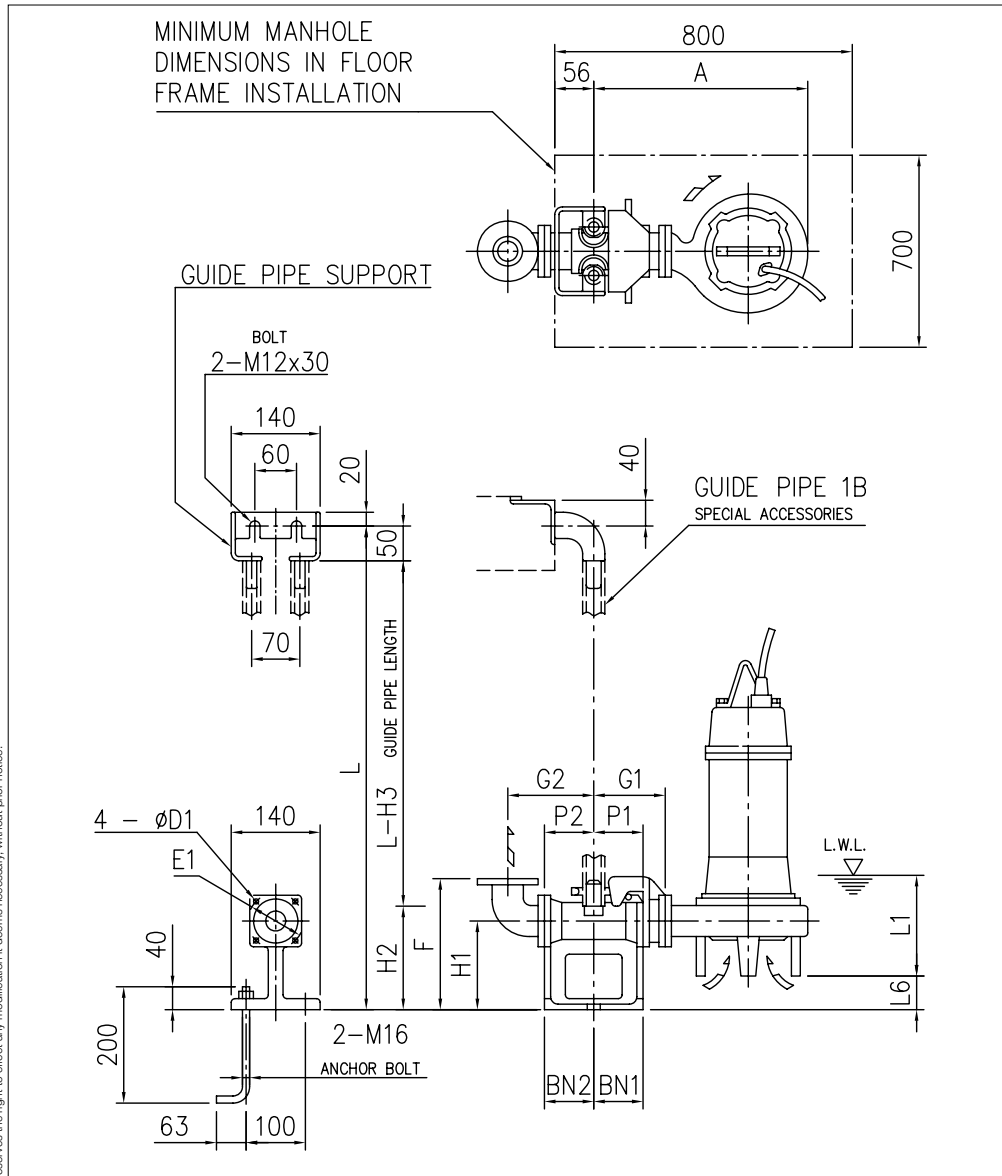
DA	Model	[kW]	A	B	C	D	E	F	H	J	L1 (*)	E1	Weight [kg]
65	65DL51.5	1,5	497	291	353	144	265	200	576	200	140		52
80	80DL51.5	1,5	524	292	378	146	285		597	210	165		55
	80DL52.2	2,2	542	308	388	154	295	220	654	220		67	
	80DL53.7	3,7	567	328	403	164	310		687	235		75	
	80DLC55.5	5,5	618	379	428	190	335	307	753	260		134	
	80DLC57.5	7,5	648	399	448	200	355	305	751	280		148	
100	100DL53.7	3,7	614	335	445	169	340	250	706	235	185		79
	100DLB55.5	5,5	646	369	460	186	355	323	768	250		123	
	100DLC55.5	5,5	660	379	470	190	365	322	753	260		134	
	100DLB57.5	7,5	673	385	480	193	375	323	760	270		141	
	100DLC57.5	7,5	690	399	490	200	385	320	751	280		148	
	100DL511	11	701	402	500	201	395	323	859	290		180	
	100DL515	15							954			230	
	100DL518.5	18,5	741	441	520	221	415	330	958	310		285	
150	150DL55.5	5,5	750	398	550	200	410	381	799	280	245		146
	150DL57.5	7,5	780	418	570	210	430		784	300		158	
	150DL511	11						377	883			199	
	150DL515	15	810	438	590	220	450		972	320		237	
	150DL518.5	18,5	848	476	610	238	470	381	979	340		300	
	150DL522	22	848	476	610	238	470	381	979	340		325	
	150DL530	30							1284	360		486	
	150DL537	37	912	520	650	262	510	468	1404	360		494	
200	150DL545	45							1404	360		350	
	200DL55.5	5,5	832	430	615	217	450	414	826	300	285		160
	200DL57.5	7,5	863	453	635	228	470	410	809	320		176	
	200DL511	11							908			212	
	200DL515	15	896	479	655	241	490	411	995	340		260	
	200DL518.5	18,5							415	1001			305
	200DL522	22	932	512		257							330
	200DL530	30							510				486
200DL537	37	937	520		262			483	1404			494	
250	200DL545	45							1404			370	
	250DL57.5	7,5	969	525	700	269	500	622	904	370	400		260
	250DL511	11	993	541	720	273	520	634	1000	390		320	
	250DL515	15							1086				380
	250DL518.5	18,5	1007	549	730	277	530	646		400		420	
	250DL522	22							1089				440
	250DL530	30							1336			538	
	250DL537	37	1125	660	790	335	590	706	1475	460		565	
250DL545	45							1475				540	
300	300DL511	11							1050		450		365
	300DL515	15	1100	588	798	302	575	671		420		395	
	300DL518.5	18,5							1131			440	
	300DL522	22	1135	618	818	317	595	668				465	
	300DL530	30							1336			538	
	300DL537	37	1172	660	838	335	615	726	1475	460		565	
	300DL545	45							1475				540

(\*) - L.W.L (Low Water Level)

# DL - DL W/C

## SUBMERSIBLE SEWAGE PUMPS (DL) WITH CUTTER (DL W/C) in cast iron

### DIMENSIONS 65DL, 80DL (1.5÷3.7 kW) with QDC (quick discharge connector)



Discharge flanges dimensions [mm] - EN 1092-2							
Type	DA	DE	DF	DG	DT	DN	DD
Round	65	145	185	118	17	4	19
	80	160	200	132	19	8	

### DIMENSIONS TABLE 65DL, 80DL (1.5÷3.7 kW) with QDC (quick discharge connector)

DA	Model	[kW]	A	P1	P2	G1	G2	F	H1	H2	H3	L1 (*)	L6	BN1	BN2	D1	E1	QDC (quick discharge connector) Model	QDC Weight [kg]
65	65DL51.5	1,5	464	75	95	120	160	250	145	190	240	140	50	75	95	12	140	LM65	14
	80DL51.5	1,5	481																
80	80DL52.2	2,2	499		90	125	165	285	175	230	280	165	65	75	90	15	155	LM80	17
	80DL53.7	3,7	524																

(\*) - L.W.L. (Low Water Level)

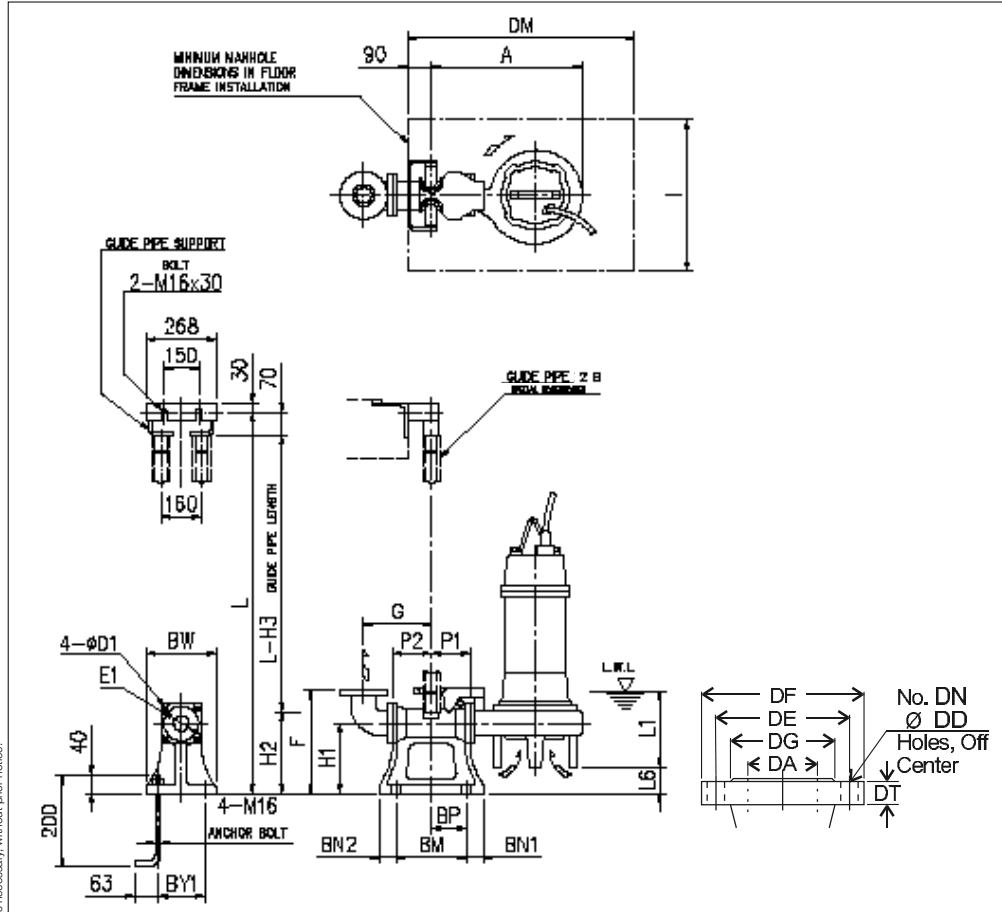
The contents of this publication must not be regarded as binding. EBARA Pumps Europe S.p.A. reserves the right to effect any modification it deems necessary, without prior notice.



# DL - DL W/C

## SUBMERSIBLE SEWAGE PUMPS (DL) WITH CUTTER (DL W/C) in cast iron

### DIMENSIONS 150DL, 200DL with QDC (quick discharge connector)



Type	DA	DE	DF	DG	DT	DN	DD
Round	150	240	285	211	23	8	23
	200	295	340	266			

### DIMENSIONS TABLE 150DL, 200DL with QDC (quick discharge connector)

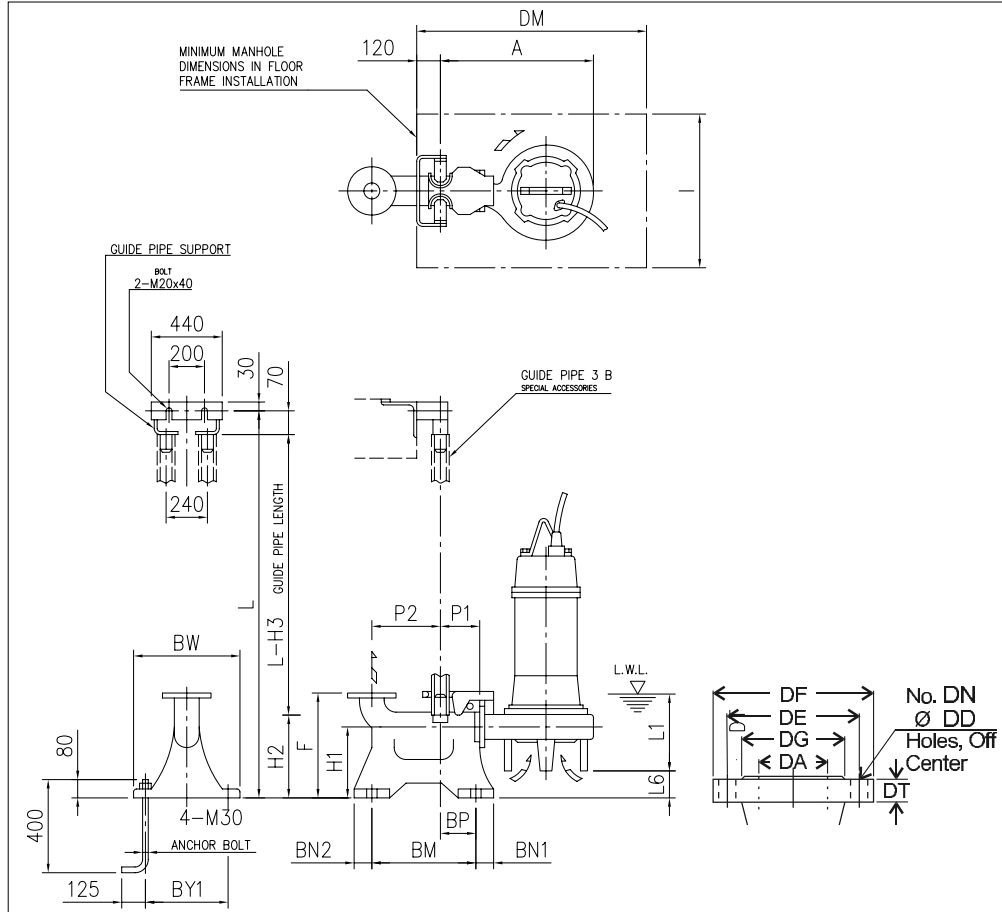
DA	Model	[kW]	A	P1	P2	G	F	H1	H2	H3	L1 (*)	L6	BN1	BN2	BM	BP	BY1	BW	DM	I	D1	E1	QDC (quick discharge connector) Model	Weight [kg]																			
150	150DL55.5	5.5	635	155	195	325	450	290	362	432	245	69	60	370	165	280	330	1000	700	16	210	LL125	65																				
	150DL57.5	7.5	665									73																															
	150DL511	11	695									73																															
	150DL515	15	695									73																															
	150DL518.5	18.5	733									73																															
	150DL522	22	733									73																															
	150DL530	30	777									205												355	480	320	405	475	288	210	60	390	170	300	350	1100	800	250	LL150	80			
	150DL537	37	777									205												355	480	320	405	475	296	210	60	390	170	300	350	1100	800	250	LL150	80			
	150DL545	45	777									480												296	210	60																	
200	200DL55.5	5.5	672	155	205	355	495	320	405	475	285	81	60	390	170	300	350	1100	800	16	250	LL150	80																				
	200DL57.5	7.5	703									85																															
	200DL511	11	703									85																															
	200DL515	15	736									84																															
	200DL518.5	18.5	772									80																															
	200DL522	22	772									80																															
	200DL530	30	777									288												210	60																		
	200DL537	37	777									296												210	60																		
	200DL545	45	777									296												210	60																		

(\*) - L.W.L. (Low Water Level)

# DL - DL W/C

## SUBMERSIBLE SEWAGE PUMPS (DL) WITH CUTTER (DL W/C) in cast iron

### DIMENSIONS 250DL, 300DL with QDC (quick discharge connector)



Discharge flanges dimensions [mm] - EN 1092-2							
Type	DA	DE	DF	DG	DT	DN	DD
Round	250	350	395	319	25	12	23
	300	400	445	370	24		

### DIMENSIONS TABLE 250DL, 300DL with QDC (quick discharge connector)

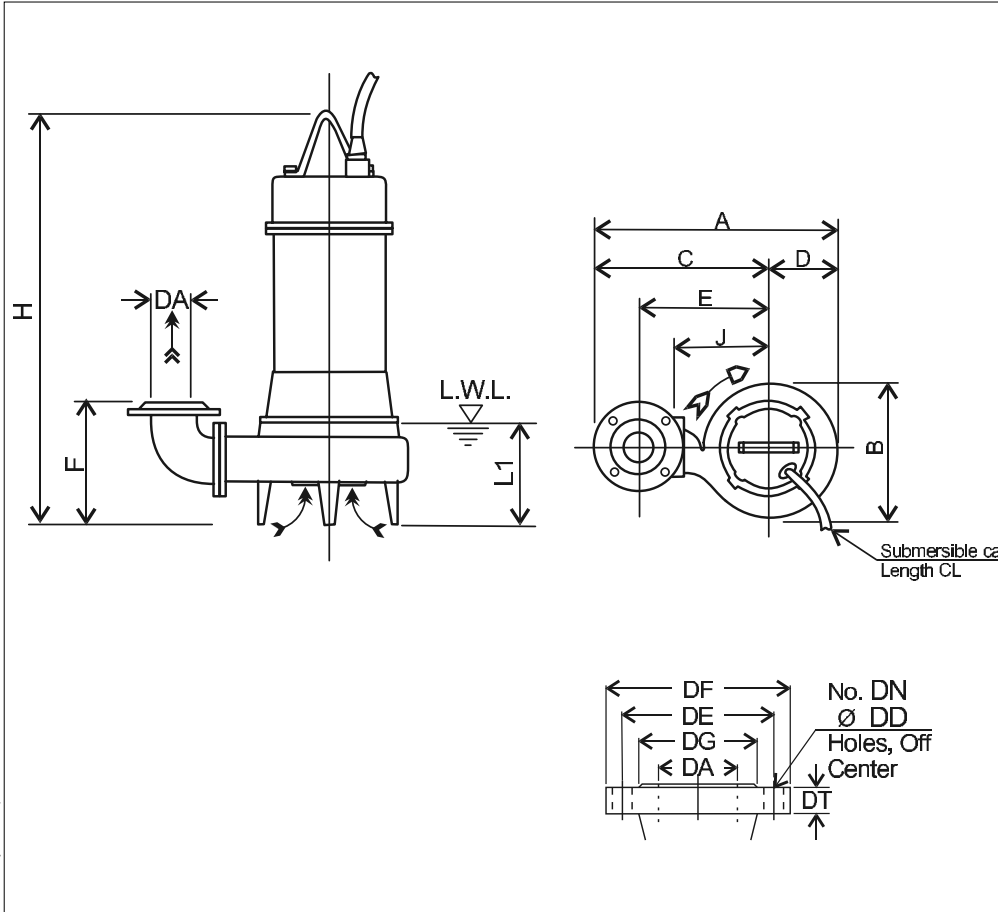
DA	Model	[kW]	A	P1	P2	F	H1	H2	H3	L1 (*)	L6	BN1	BN2	BM	BP	BY1	BW	DM	I	QDC (quick discharge connector) Model	QDC (quick discharge connector) Weight [kg]
250	250DL57.5	7,5	834	195	435	700	350	440	510	400	58	70	70	650	215	500	560	1200	900	LL250	150
	250DL511	11	858								46										
	250DL515	15	872								34										
	250DL518.5	18,5	990		970	430	550	620	292	450	300			680	580	640	LL300	200			
	250DL522	22							319												
	250DL530	30							292												
	250DL537	37							319												
250DL545	45	300																			
300	300DL511	11	917	195	465	800	430	550	620	450	109	70	70	680	215	580	640	1200	900	LL300	200
	300DL515	15	952								112										
	300DL518.5	18,5	990								292										
	300DL522	22	990		970	430	550	620	292	450	300			680	580	640	LL300	200			
	300DL530	30							319												
	300DL537	37							292												
	300DL545	45							319												

(\*) - L.W.L (Low Water Level)

# DL - DL W/C

## SUBMERSIBLE SEWAGE PUMPS (DL) WITH CUTTER (DL W/C) in cast iron

### DIMENSIONS DL W/C (with cutter)



Discharge flanges dimensions [mm] - EN 1092-2							
Type	DA	DE	DF	DG	DT	DN	DD
Round	64	145	185	118	17	4	19
	80	160	200	132	19	8	
	100	180	220	156	21		

### DIMENSIONS TABLE DL W/C (with cutter)

DA	Model	[kW]	A	B	C	D	E	F	H	J	L1 (*)	CL [m]	Weight [kg]
65	65DL51.5W/C	1.5	497	291	353	144	265	200	576	200	140	10	52
80	80DL51.5W/C	1.5	524	292	378	146	285	220	597	210	165		55
	80DL52.2W/C	2.2	542	308	388	154	295		654	220			67
	80DL53.7W/C	3.7	567	328	403	164	310		687	235			75
100	100DL53.7W/C	3.7	614	335	445	169	340	250	706	250	205		79
	100DLB55.5W/C	5.5	646	369	460	186	355	323	768				250
	100DLB57.5W/C	7.5	673	385	480	193	375	760	270			141	

(\*) - L.W.L (Low Water Level)

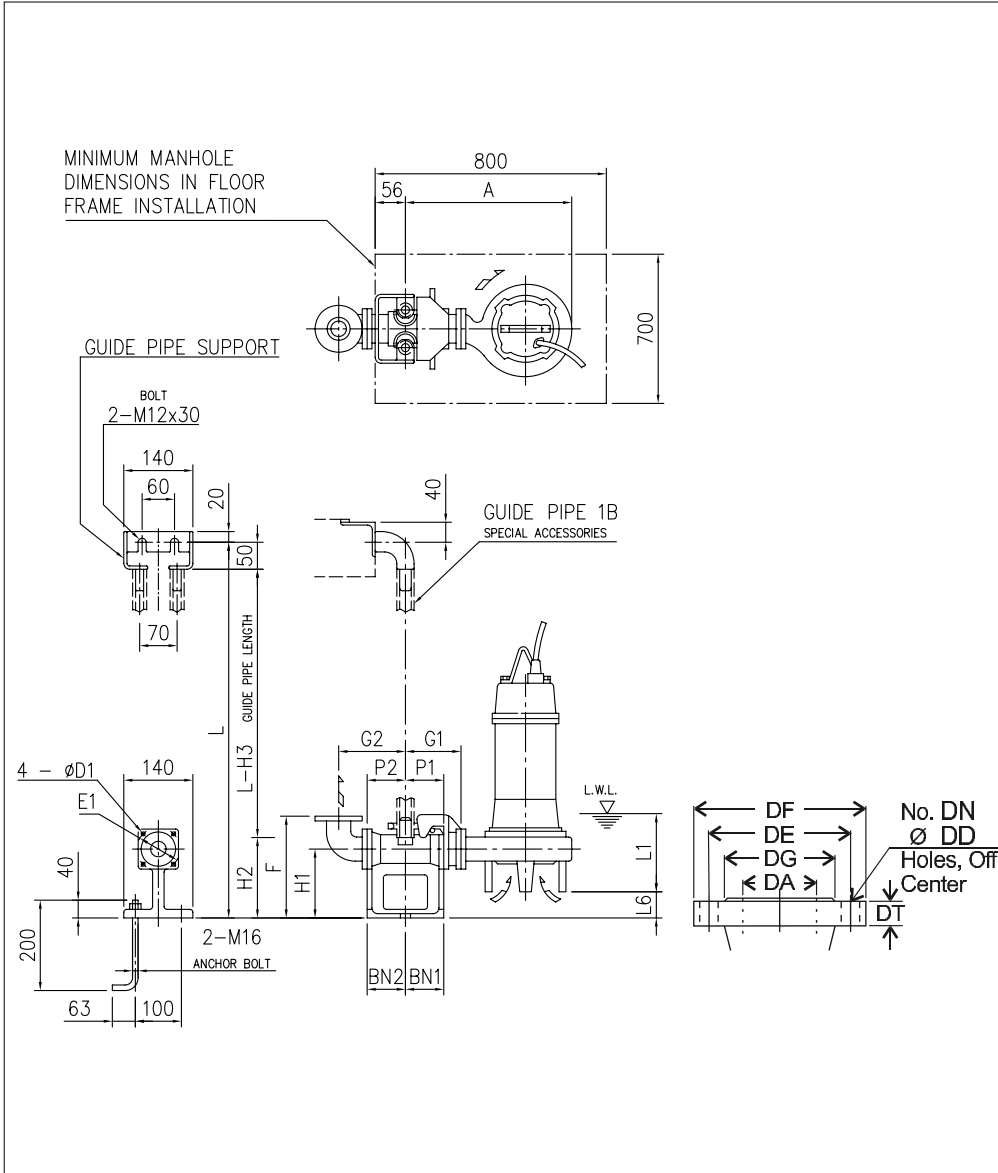
The contents of this publication must not be regarded as binding. EBARA Pumps Europe S.p.A. reserves the right to effect any modification it deems necessary, without prior notice.



# DL - DL W/C

## SUBMERSIBLE SEWAGE PUMPS (DL) WITH CUTTER (DL W/C) in cast iron

### DIMENSIONS 65DL W/C, 80DL W/C (with cutter) (1.5÷3.7 kW) with QDC (quick discharge connector)



Discharge flanges dimensions [mm] - EN 1092-2							
Type	DA	DE	DF	DG	DT	DN	DD
Round	65	145	185	118	17	4	19
	80	160	200	132	19	8	

### DIMENSIONS TABLE 65DL W/C, 80DL W/C (with cutter) (1.5÷3.7 kW) with QDC (quick discharge connector)

DA	Model	[kW]	A	P1	P2	G1	G2	F	H1	H2	H3	L1 (*)	L6	BN1	BN2	D1	E1	QDC (quick discharge connector) Model	Weight [kg]
65	65DL51.5W/C	1,5	464	75	95	120	160	250	145	190	240	140	50	75	95	12	140	LM65	14
	80DL51.5W/C	1,5	481															LM80	17
80	80DL52.2W/C	2,2	499		90	125	165	285	175	230	280	165	65		90	15	155	LM80	17
	80DL53.7W/C	3,7	524																

(\*) - L.W.L (Low Water Level)

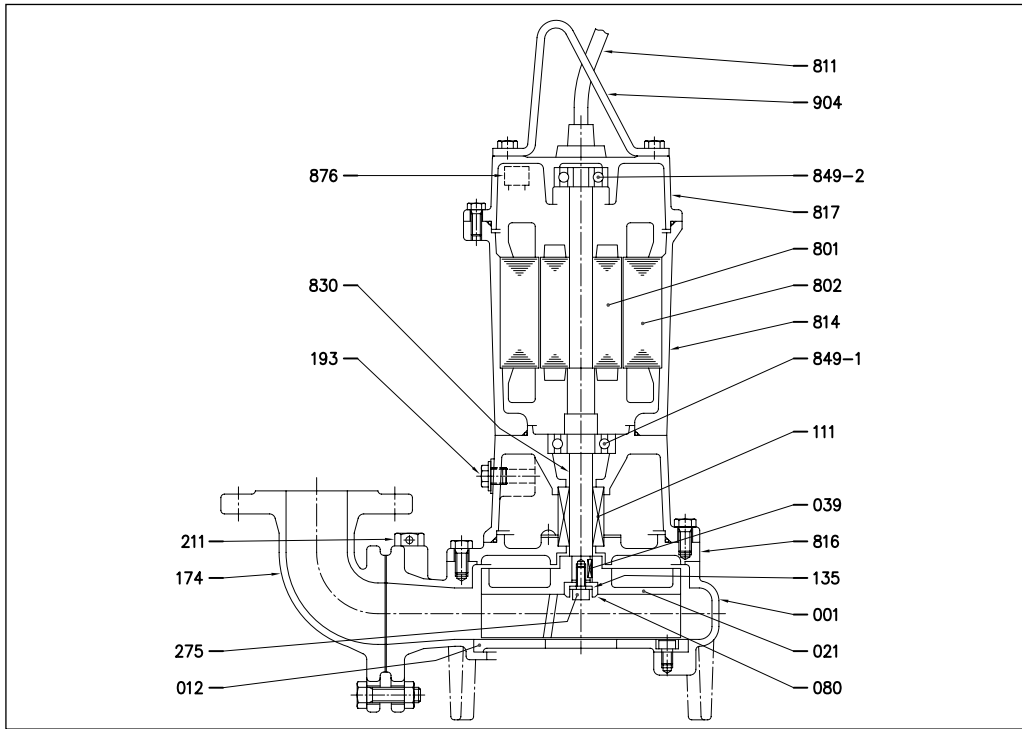


# DL - DL W/C

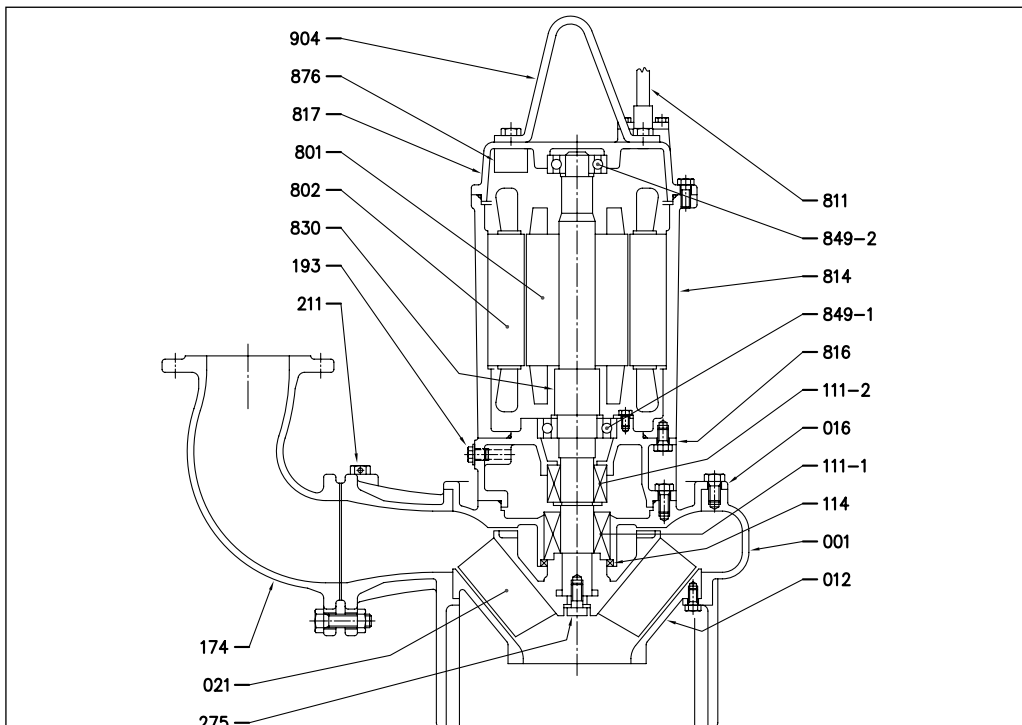
## SUBMERSIBLE SEWAGE PUMPS (DL) WITH CUTTER (DL W/C)

in cast iron

**SECTIONAL VIEW** 65DL, 65DL W/C (1.5 kW)  
80DL, 80DL W/C (1.5÷3.7 kW)  
100DL, 100DL W/C (3.7 kW)



**SECTIONAL VIEW** 80DL (5.5÷7.5 kW) 100DL (5.5÷18.5 kW) 100DL W/C (5.5÷7.5 kW)  
150DL (5.5÷22 kW) 200DL (5.5÷22 kW)  
250DL (7.5÷22 kW) 300DL (11÷22 kW)

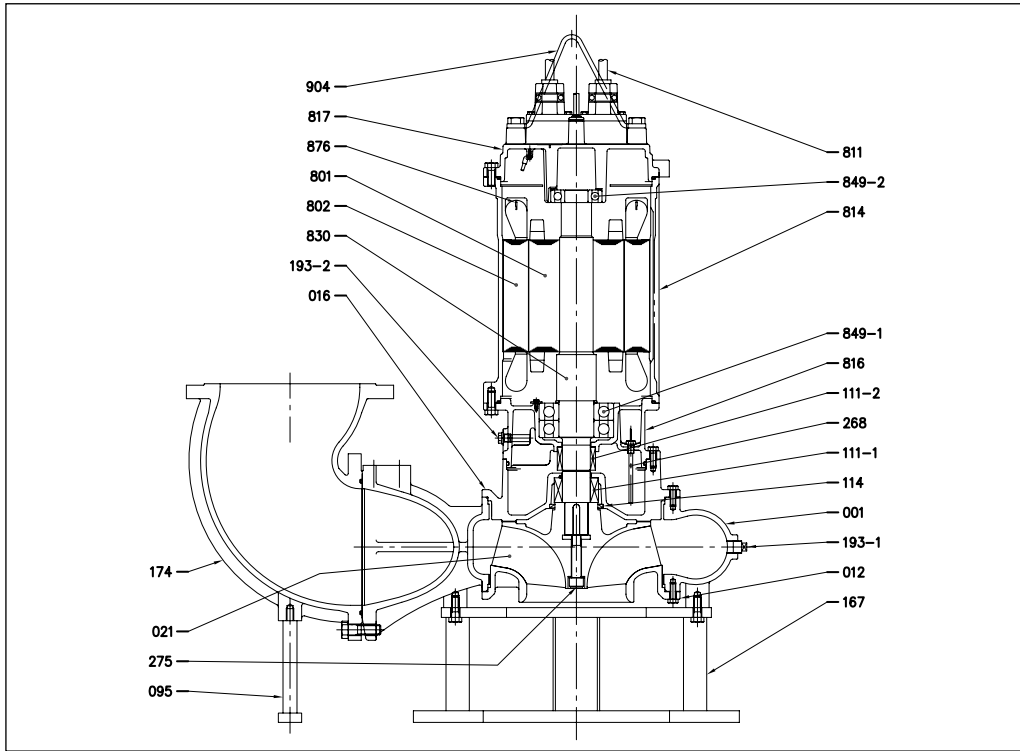


# DL - DL W/C

## SUBMERSIBLE SEWAGE PUMPS (DL) WITH CUTTER (DL W/C)

in cast iron

**SECTIONAL VIEW** 150DL (30÷45 kW), 200DL (30÷45 kW)  
250DL (30÷45 kW), 300DL (30÷45 kW)



**MATERIALS TABLE DL - DL W/C (with cutter)**

Ref.	Name	Material	Ref.	Name	Material
001	Pump body	Cast iron EN-GHJL-200-EN 1561	193-2	Oil plug + Gasket	NBR/EN 1.4301(AISI304)
012	Suction side lid	Cast iron EN-GHJL-200-EN 1561	211	Airvent valve [1]	-
016	Mechanical seal cover	Cast iron EN-GHJL-200-EN 1561	275	Impeller nut	EN 1.4301 (AISI304)
021	Impeller	Cast iron EN-GHJL-200-EN 1561	801	Rotor	-
039	Key	EN 1.4028 (AISI420)	802	Stator	-
080	Bushing	EN 1.4301 (AISI304)	811	Cable	-
095	Stay [1]	EN 1.4301 (AISI304)	814	Motor case	Cast iron EN-GHJL-200-EN 1561
111	Mechanical seal	-	816	Motor support	Cast iron EN-GHJL-200-EN 1561
111-1	Mechanical seal	-	817	Motor cover	Cast iron EN-GHJL-200-EN 1561
111-2	Mechanical seal	-	830	Shaft	EN 1.4006 (AISI403)
114	Gasket	NBR	849-1	Ball bearing	-
135	Seal washer	EN 1.4301 (AISI304)	849-2	Ball bearing	-
174	Discharge bend	Cast iron EN-GHJL-200-EN 1561	876	Protector	-
193	Oil plug	NBR/EN 1.4301 (AISI304)	904	Lifting hanger	Stainless Steel
193-1	Plug	EN 1.4301 (AISI304)			

[1] - Excluded 150DL, 200DL, 250DL and 300DL

The contents of this publication must not be regarded as binding. EBARA Pumps Europe S.p.A. reserves the right to effect any modification it deems necessary, without prior notice.

# DL - DL W/C

## SUBMERSIBLE SEWAGE PUMPS (DL) WITH CUTTER (DL W/C)

in cast iron

### DL, DL W/C (with cutter) (1.5÷3.7 kW) MOTOR DATA

[P <sub>2</sub> ]		[kW]	1,5			2,2			3,7			
Resistance at 20°C		[Ω]	8,466			5,937			3,447			
GD <sup>2</sup>		[kg·m <sup>2</sup> ]	0,013			0,025			0,04			
Voltage		[V]	380	400	415	380	400	415	380	400	415	
Load	0%	Current	[A]	2,3	2,51	2,746	2,65	2,85	3,2	3,5	3,65	3,9
		Power	[W]	500	420	546	650	450	420	650	800	450
	75%	Current	[A]	3,47	3,37	3,56	4,65	4,34	4,46	6,70	6,73	6,25
		Efficiency	[%]	62,67	70,31	62,99	63,89	69,75	69,23	73,21	69,72	76,38
		Power factor	[%]	78,70	68,43	69,87	84,32	78,63	74,40	85,95	85,37	80,93
	100%	Speed	[min <sup>-1</sup> ]	1438	1449	1446	1440	1452	1458	1447	1449	1455
		Current	[A]	4,10	3,90	4,10	5,70	5,20	5,20	8,40	8,30	7,60
		Efficiency	[%]	65,69	72,58	65,73	66,44	72,31	71,82	74,67	72,09	77,98
		Power factor	[%]	84,62	76,54	77,83	88,26	84,45	81,96	89,62	89,25	86,85
	100%	Speed	[min <sup>-1</sup> ]	1414	1432	1426	1417	1437	1443	1427	1430	1440
		Locked Rotor Torque	[%]	319	378	385	216	277	301	229	275	296
	Start Current		[A]	23,70	24,50	23,60	29,30	30,00	32,00	49,40	47,50	49,00
No. starts per hour			10									
Model			ZDLEU									

### DL (5.5÷11 kW), DL W/C (with cutter) (5.5÷7.5 kW) MOTOR DATA

[P <sub>2</sub> ]		[kW]	5,5			7,5			11			
Resistance at 20°C		[Ω]	2,339			1,513			-	0,869		
GD <sup>2</sup>		[kg·m <sup>2</sup> ]	0,61			0,071			0,12			
Voltage		[V]	380	400	415	380	400	415	380	400	415	
Load	0%	Current	[A]	4,9	4,3	4,5	7,85	6,5	7,1	-	7,80	8,60
		Power	[W]	470	900	470	707	1200	707	-	1500	790
	75%	Current	[A]	9,38	8,97	8,58	13,38	12,46	12,07	-	17,03	16,81
		Efficiency	[%]	79,17	75,51	79,10	79,46	76,94	79,81	-	80,39	81,35
		Power factor	[%]	84,39	87,90	84,53	80,38	84,72	81,25	-	86,98	83,95
	100%	Speed	[min <sup>-1</sup> ]	1464	1458	1464	1467	1463	1467	-	1468	1470
		Current	[A]	11,70	11,30	10,70	16,40	15,50	14,80	-	21,50	21,00
		Efficiency	[%]	80,42	77,14	80,38	80,98	78,64	81,26	-	82,12	82,29
		Power factor	[%]	88,83	91,07	88,97	85,80	88,81	86,76	-	89,92	88,56
	100%	Speed	[min <sup>-1</sup> ]	1451	1442	1451	1455	1449	1455	-	1456	1458
		Locked Rotor Torque	[%]	271	249	271	288	272	288	-	185	155
	Start Current		[A]	81,00	70,00	74,00	120,00	104,00	108,00	-	121,0	128,0
No. starts per hour			10						6			
Model			ZDLEU									

## SUBMERSIBLE SEWAGE PUMPS (DL) WITH CUTTER (DL W/C)

in cast iron

### DL (15÷22 kW) MOTOR DATA

[P <sub>2</sub> ]		[kW]	15			18,5			22			
Resistance at 20°C		[Ω]	-	0,677		-	0,439		-	0,376		
GD <sup>2</sup>		[kg·m <sup>2</sup> ]	0,15			0,25			0,28			
Voltage		[V]	380	400	415	380	400	415	380	400	415	
Load	0%	Current	[A]	-	8,50	8,85	-	12,80	15,10	-	12,50	13,50
		Power	[W]	-	1600	880	-	2000	1300	-	2000	965
	75%	Current	[A]	-	22,13	21,11	-	27,76	27,38	-	32,73	31,37
		Efficiency	[%]	-	81,59	84,15	-	84,25	85,39	-	82,74	85,54
		Power factor	[%]	-	89,91	88,12	-	85,61	82,55	-	87,94	85,56
	100%	Speed	[min <sup>-1</sup> ]	-	1464	1464	-	1477	1480	-	1471	1473
		Current	[A]	-	28,50	27,00	-	35,00	34,00	-	42,00	40,00
		Efficiency	[%]	-	82,79	84,99	-	85,77	86,79	-	84,17	86,11
		Power factor	[%]	-	91,76	90,93	-	88,95	87,23	-	89,82	88,86
	Speed	[min <sup>-1</sup> ]	-	1450	1451	-	1469	1472	-	1460	1463	
		Locked Rotor Torque	[%]	-	171	182	-	171	185	-	155	169
	Start Current		[A]	-	160,0	167,0	-	238,0	248,0	-	265,0	265,0
No. starts per hour			6									
Model			ZDLEU									

### DL (30÷45 kW) MOTOR DATA

[P <sub>2</sub> ]		[kW]	30			37			45			
Resistance at 20°C		[Ω]	0,236			0,152			0,117			
GD <sup>2</sup>		[kg·m <sup>2</sup> ]	0,72			1,11			1,32			
Voltage		[V]	380	400	415	380	400	415	380	400	415	
Load	0%	Current	[A]	20	23,7	27,3	25,4	31,4	36,3	29,7	36,2	41,9
		Power	[W]	925	1104	1332	1116	1584	1956	1320	1752	2172
	75%	Current	[A]	45,69	45,96	47,48	56,47	58,11	60,14	68,59	70,07	72,18
		Efficiency	[%]	89,77	89,48	87,78	91,33	90,25	89,33	90,25	88,93	88,13
		Power factor	[%]	83,35	78,97	75,10	81,75	76,38	71,87	82,84	78,17	73,81
	100%	Speed	[min <sup>-1</sup> ]	1462	1464	1466	1479	1480	1481	1476	1478	1479
		Current	[A]	59,00	58,00	58,50	72,50	72,50	73,50	88,00	87,50	88,50
		Efficiency	[%]	89,28	89,39	88,21	91,57	90,89	90,29	90,63	89,83	89,28
		Power factor	[%]	86,41	83,45	80,60	86,64	80,95	77,56	85,56	82,33	79,12
	Speed	[min <sup>-1</sup> ]	1447	1451	1453	1470	1472	1473	1467	1470	1471	
		Locked Rotor Torque	[%]	245	272	294	154	171	184	156	173	186
	Start Current		[A]	356,50	377,40	393,20	390,70	413,90	431,30	497,80	527,40	549,70
No. starts per hour			6									
Model			ZDLEU									

Wastewater

